

## CPC - Compressor Cooler Series



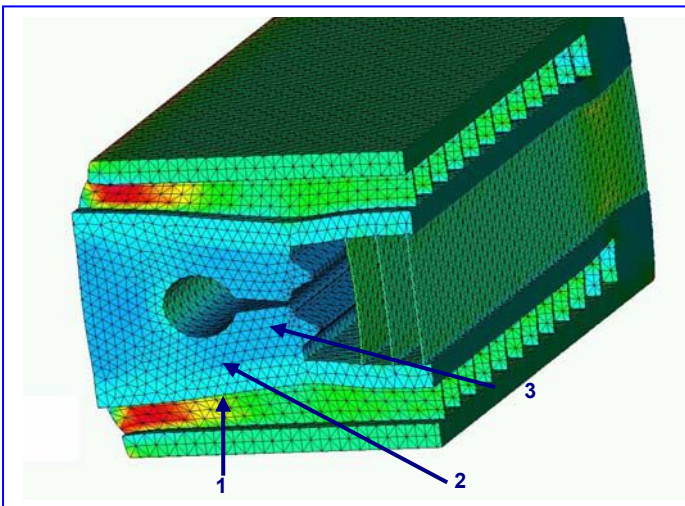
### **Aircooled combicoolers for oil-injected screw compressors**

AKG created a new economical standard cooler series for screw compressors up to 37 kW. Developed from series production of well-known OEM's this range is loaded with technical novelties. Our latest evolutionary improvements were incorporated to supply highest quality features for a standard range.

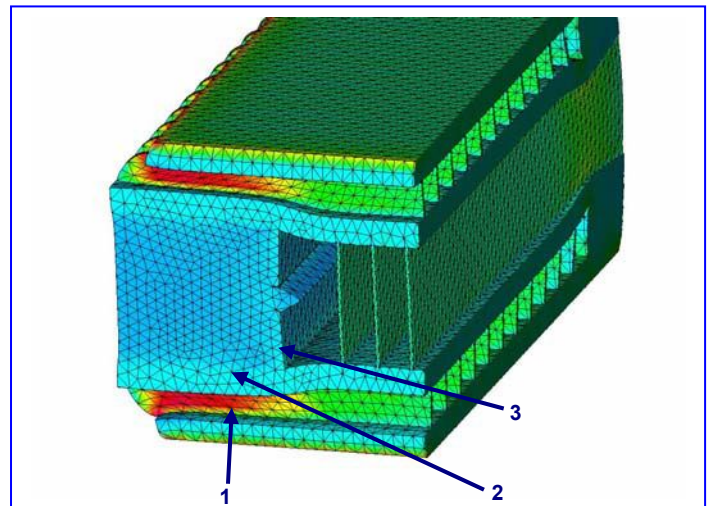
## Special Features and Benefits

- high performance hollow core profiles reduce thermal tension
- special endplates for thermal stress relief
- separating air passage between oil and air side
- optimized fin / turbulator combination
- 4 combi-coolers provide power ratings from 4 kW to 37 kW
- standard models are readily available from stock, short delivery times

**CPC coolers are designed for extended lifetime even under heavy duty conditions and frequent load / unload cycles.**

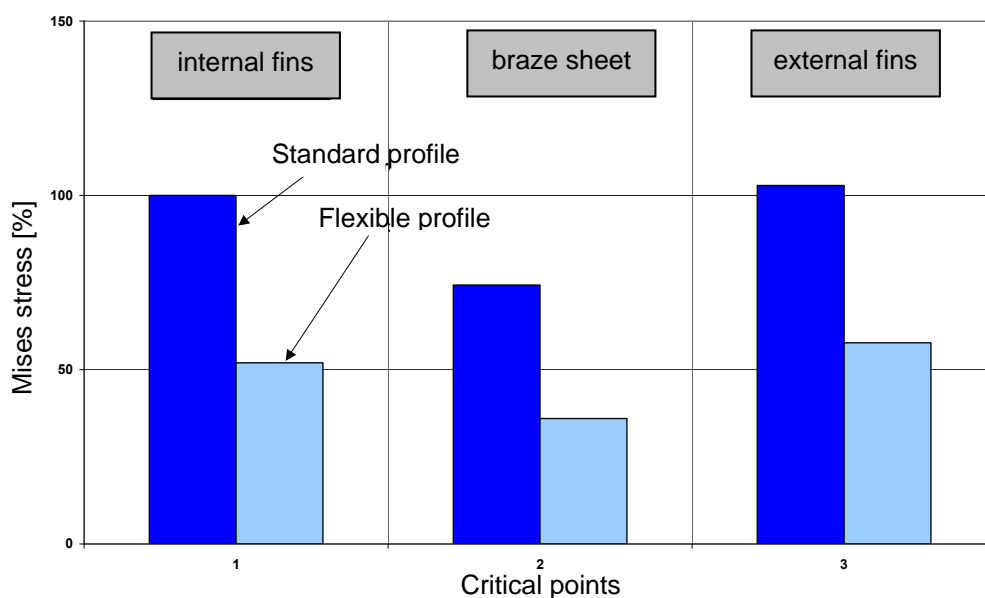


Cooler with flexible profile

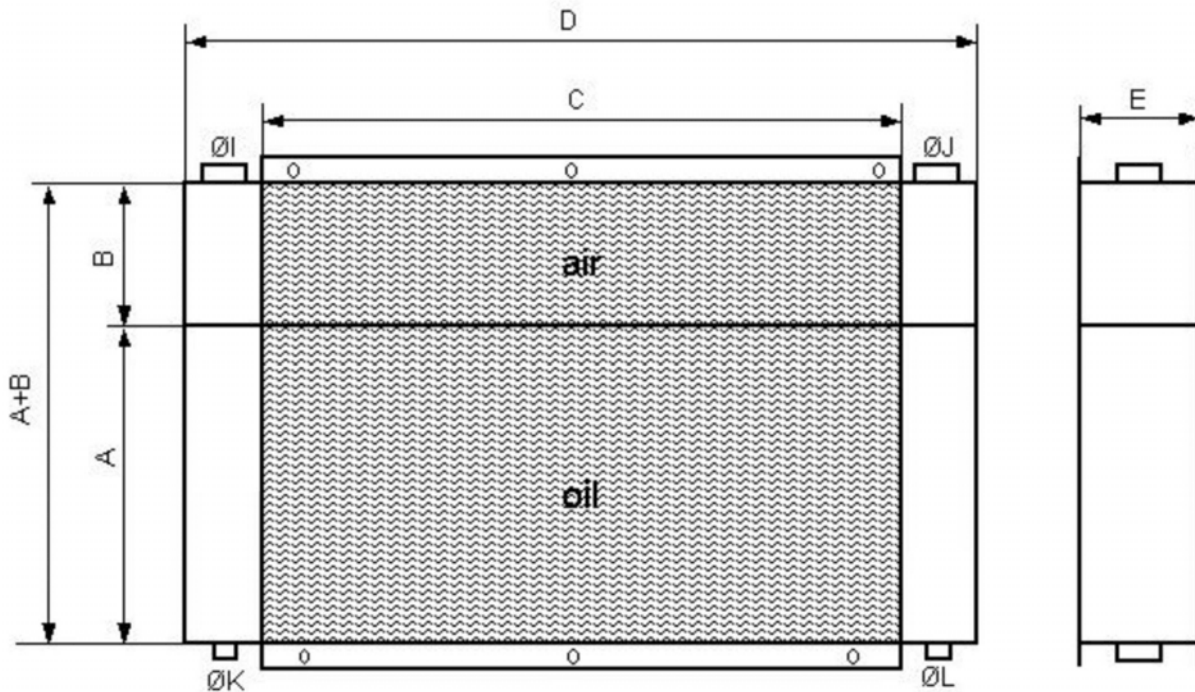


Cooler with standard profile

### Mises stresses in critical areas



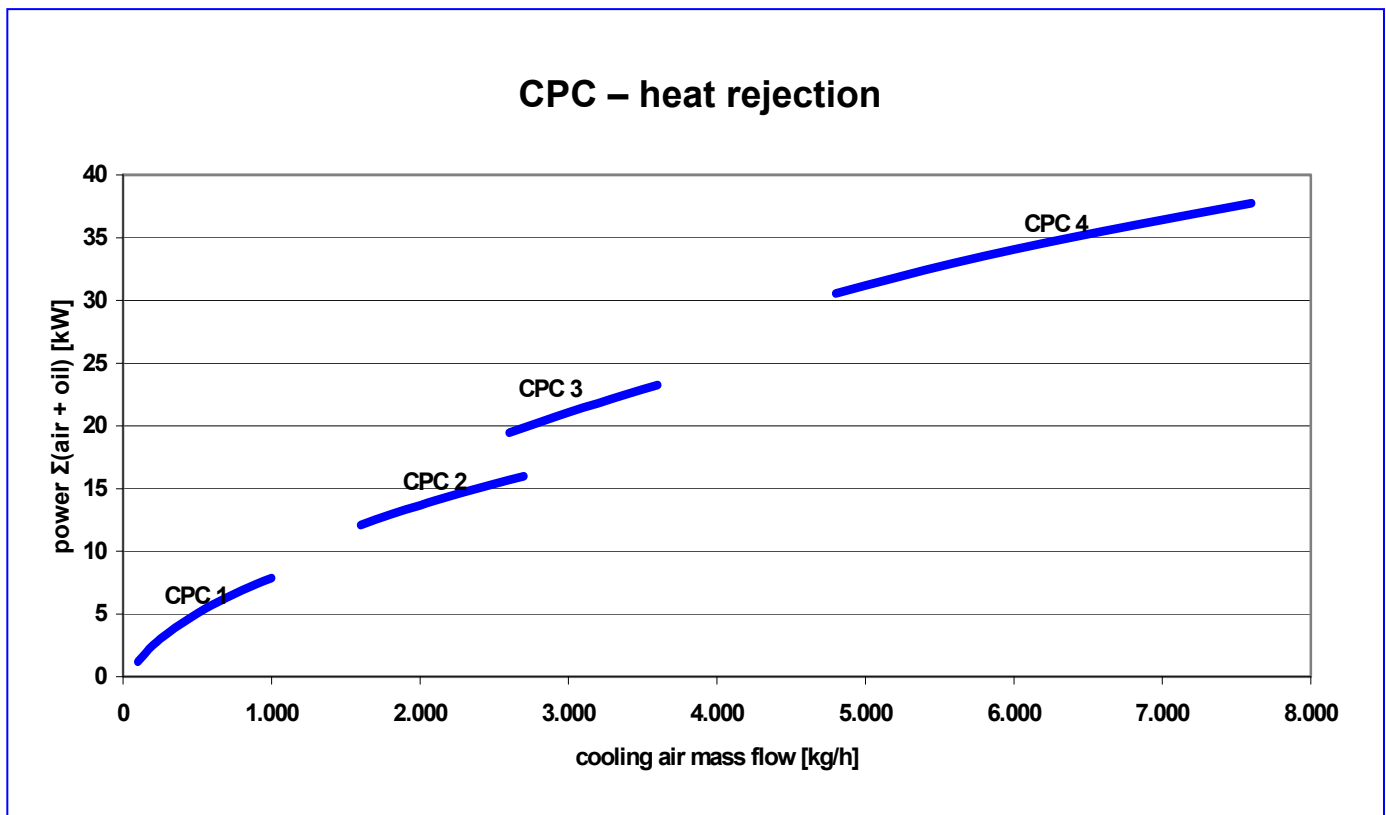
## Technical Data



type	CPC 1			CPC 2		CPC 3		CPC 4	
AKG-No.	5481.007.9500			5482.015.9500		5483.022.9500		5484.037.9500	
total power [kW]	4	5.5	7.5	11	15	18	22	30	37
oil cooler [kW]	3.59	4.30	6.00	8.97	11.78	15.33	18.10	24.70	30.00
air cooler [kW]	1.03	1.38	1.86	2.90	3.89	3.75	4.44	5.94	7.58
oil flow [l/min.]	12	15	20	23	28	33	40	45	43
air flow [kg/h]	40	53	80	120	160	200	240	330	370
cooling air flow [kg/h]	500	730	1,000	1,700	2,600	2,700	3,400	4,800	7,500
oil temp. [°C]	max. 100								
air temp. [°C]	max. 100								
amb. temp. [°C]	max. 45								
working pressure [bar]	14								
weight [kg]	8			9,8		13,8		19,7	
A [mm]	241			272		333		486	
B [mm]	92			107		106		143	
A+B [mm]	333			379		439		629	
C [mm]	350			400		550		550	
D [mm]	450			500		650		650	
E [mm]	63			63		63		63	
oil coupling [G"]	1/2 (K+L)			1/2 (K+L)		1/2 (K+L)		3/4 (K+L)	
air coupling [G"]	3/4 (I+J)			3/4 (I+J)		1 (I+J)		1 (I+J)	

## Performance Curves

valid for oil / air inlet temperature: 100°C, cooling air temperature: 45°C



Performance data valid for specified temperatures and mass flows. Detailed specifications for individual applications available on request. Please return completed requirement list to AKG. Please mind our set up and operating instructions.

**AKG Thermotechnik International GmbH & Co. KG**

Am Hohlen Weg 31; 34369 Hofgeismar; Germany; Telephone: ++49 (0) 5671 883-0;  
Telefax: ++49 (0) 5671 3582; Website: [www.akg-group.com](http://www.akg-group.com); e-Mail: [info@akg-group.com](mailto:info@akg-group.com)